



# Multimedia Projector

## Control Pad Installation Guide

# Control Pad Installation Guide

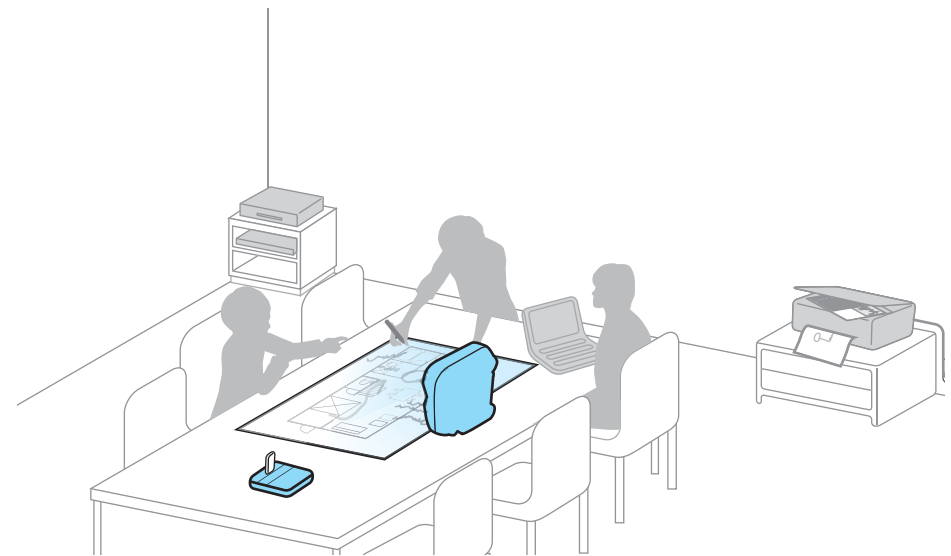
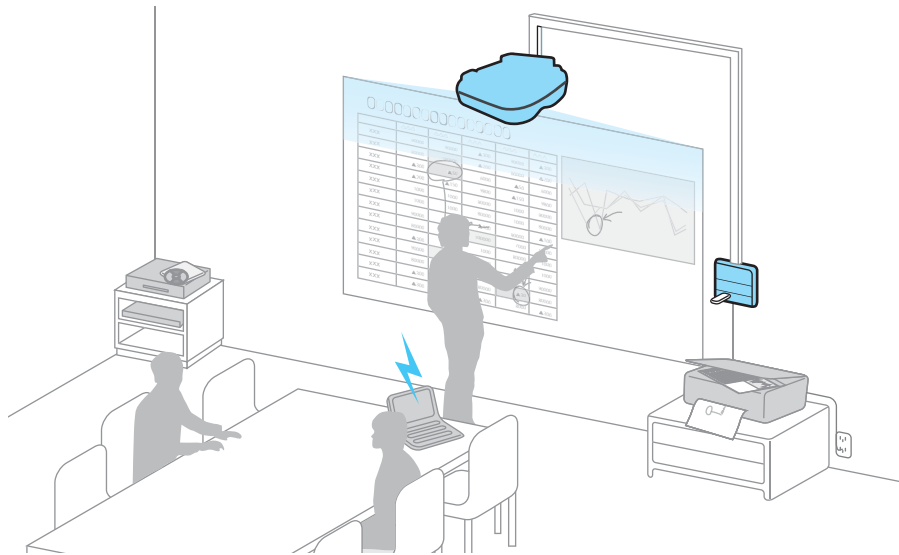
This guide explains how to install the Control Pad.

By installing the Control Pad, you can easily perform frequently used operations such as turning the projector on or off and changing the source (remote control function).

You can also connect a USB storage or USB cables for a printer and so on.

See the following for information on operating the Control Pad, supported peripheral devices, and connecting peripheral devices.

 [User's Guide](#)



You can power the Control Pad using any of the following methods.

- From the projector by connecting the optional remote control cable set (ELPKC28) to the projector
- From the batteries



When using the batteries, remote control signals are sent to the projector via infrared rays. Install the Control Pad inside the infrared range (see the recommended installation range).

When the remote control cable set is connected to the projector, remote control signals are also sent to the projector via the cable.

Connect the remote control cable set in the following situations.

- If you cannot install the Control Pad within the recommended installation range.
- If a projector with adjustable feet is placed on a desk and projected at a wall.
- If the Control Pad's remote control function is slow to respond or does not respond at all.
- If you are using multiple projectors in the same room.
- If the projection screen and the Control Pad installation point are uneven and the difference in height is more than 5 cm.



If you send remote control signals via infrared rays in the situations mentioned above, operations may become unstable and the batteries may run out quickly.

## When Using the Batteries


You can use the supplied batteries.

Use one of the following types of batteries. Rechargeable batteries cannot be used.

- AA size manganese batteries
- AA size alkaline manganese batteries (recommended)

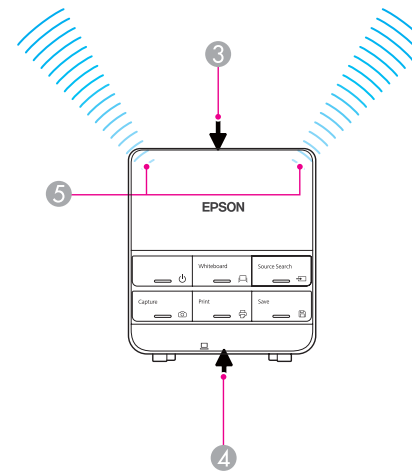
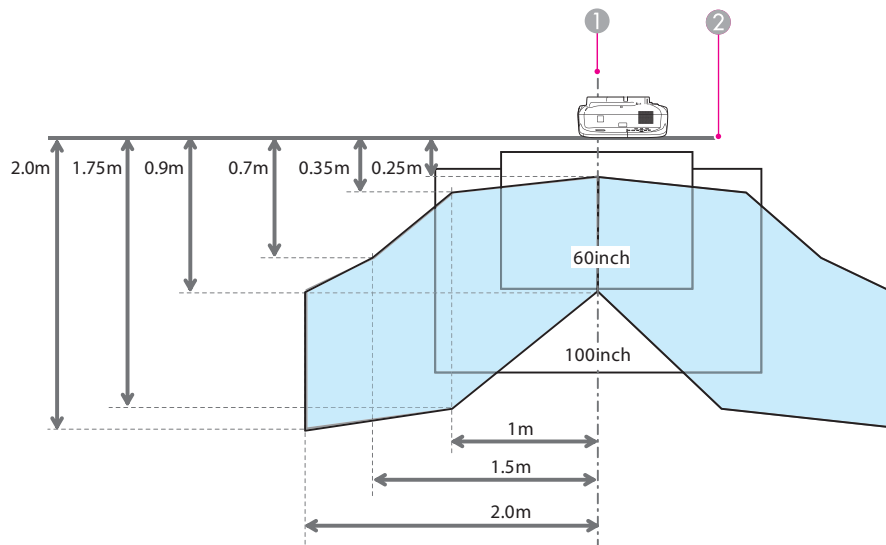
### Attention

Make sure you read the following manual before handling batteries.

 [Safety Instructions](#)

## Recommended installation range

When using batteries, install the Control Pad within the shaded range shown in the following illustration.



- 1 Center of screen
- 2 Top of projector
- 3 Top of Control Pad
- 4 Bottom of Control Pad
- 5 Remote control light-emitting area

When using batteries, check the following before installation.

- Install the Control Pad on the same surface as the projection screen.  
If the projection screen and the Control Pad installation point are uneven, install the Control Pad approximately 20 cm from the edge of the screen.
- Align the top of the projector with the top of the Control Pad, and point the Control Pad's remote control light-emitting area at the projector.
- Install the projector using the following mounts.  
When mounting on a ceiling: Ceiling mount (ELPMB23)  
When mounting on a wall: Setting plate (supplied or ELPMB28)  
When setting up on a desk: Interactive Table Mount (ELPMB29)
- Make sure there are no obstacles between the Control Pad and the projector.



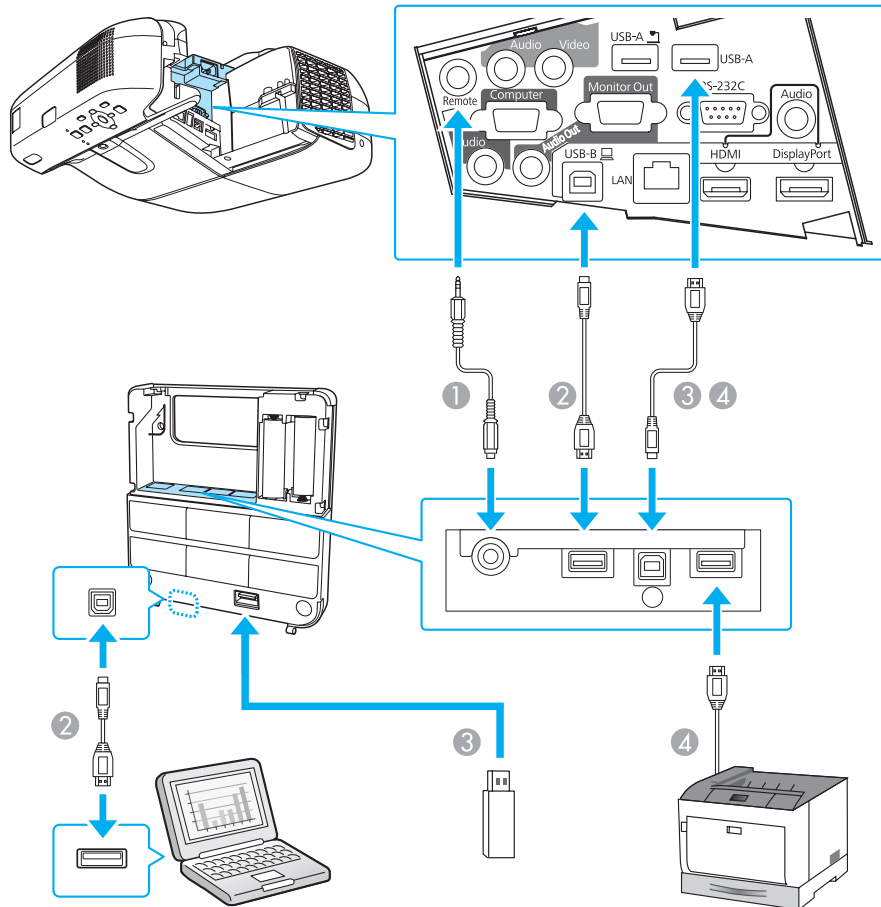
---

### **When Supplying Power from the Remote Control Cable Set**

Use the optional remote control cable set.

When connecting with the remote control cable set, do not use batteries.

Connect the Control Pad and the projector as shown in the following illustration.



- ① Connect when supplying power to the Control Pad from the projector. Use the remote control cable set.
- ② Connect when projecting images from the computer (USB Display), or using PC Interactive from the interactive function. Use the USB cable.
- ③ Connect when projecting images from a USB storage device, or when saving data to a USB storage device. Use the USB cable.
- ④ Connect to a printer to print the projected screen. Use the USB cable.



- Connect the Control Pad to the projector with the supplied USB cable.
- The following projectors\* can connect to the Control Pad. Check the rating label on the projector.

- H480x (where x is a letter from A to Z)

- H481x (where x is a letter from A to Z)

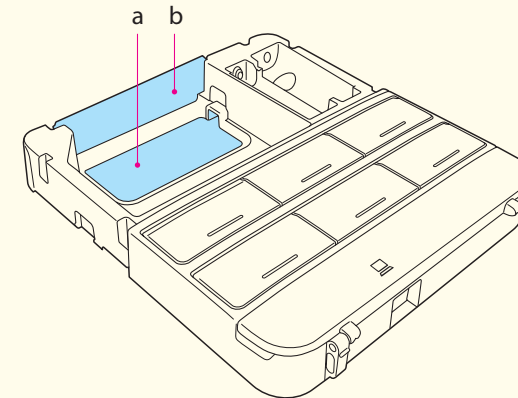
\* Current as of November 20th, 2012.

If you want to connect a different projector or if you have any queries, contact the nearest address provided in the Epson Projector Contact List.

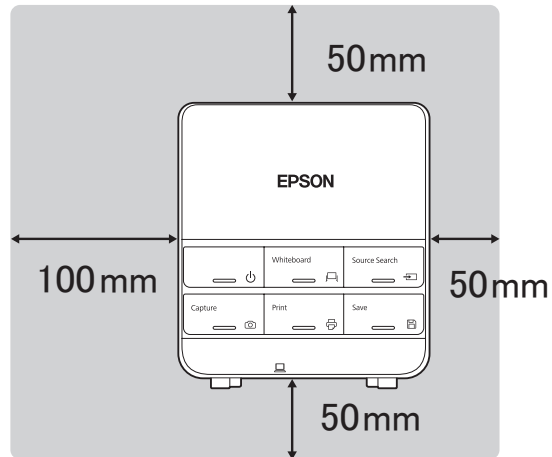
 [Epson Projector Contact List](#)

- When wiring cables through a wall, pass the cables through the hole (a).

Otherwise, remove cable cover (b), and pass the cables through here. Pass printer cables along the groove at the back of the Control Pad.



## Required Space



When installing the Control Pad, make sure there is enough space in the surrounding area as shown in the illustration above.

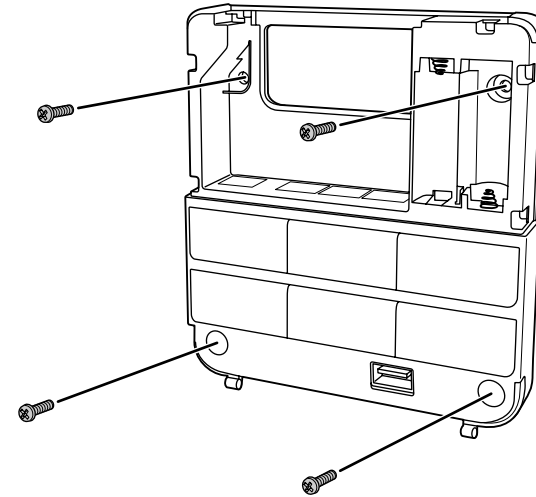
Because the top cover opens from the left-hand side, you need space on the left-hand side of the Control Pad.

## Installing on a Wall

Prepare four screws (M4 x 20 mm) for installation. Secure to the wall with the four screws.

### Attention

Check that the projector's remote control and the Control Pad can communicate with the projector, and then secure the screws.



- Stick the supplied port protection stickers over the ports that you are not using.
- Make sure the top cover is attached before use.



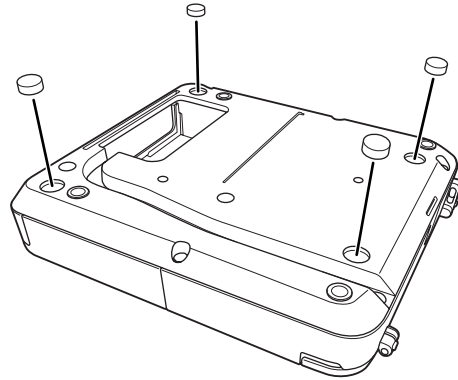
### Warning

- When installing the Control Pad, keep the enough strength of the wall. Do not install it to a wall at an angle or an unstable wall. Otherwise, it may fall and cause injury. Epson takes no responsibility for any fall accident due to strength poverty of the wall or fixture for the product.
- Secure the Control Pad without any gap against the wall. Make sure the screws are not secured at an angle. Check if the screws are tightened firmly.
- Do not set up the Control Pad in places where it might be subjected to vibration or shock. Otherwise, the screws may be loosened and the Control Pad may fall and cause injury.
- Do not secure the Control Pad with double-sided sticky tape or magnets.

---

## When Setting up on a Desk

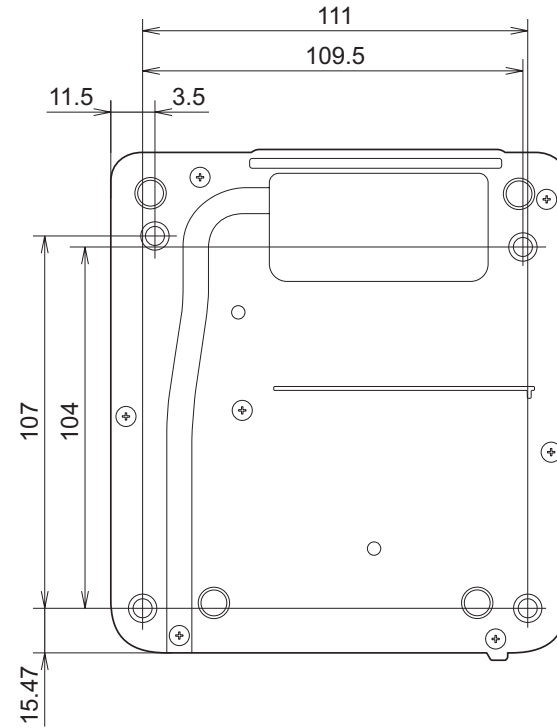
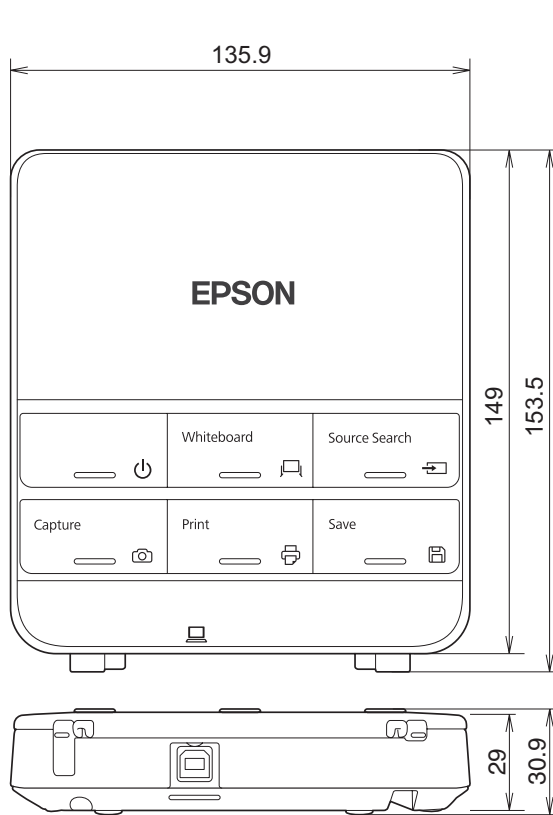
Attach rubber feet to the bottom of the Control Pad to prevent slipping (four points).







<b>Dimensions</b>	136 x 149 x 29 mm (not including raised section or rubber feet)
<b>Mass</b>	Approx. 240 g (not including batteries or rubber feet)
<b>Operating temperature</b>	0 to +50°C (No condensation)
<b>Storage temperature</b>	-20 to +60°C (No condensation)



Units: mm